

60A Controller For Permanent Magnet Motors



Kinetek Controls®

A Kinetek Company®

Features

- 24 and 36V DC models
- Solid state motor reversing
- Regenerative braking
- Top speed control
- User programmable via KC Host
- Self test and continuous diagnostics
- 1 programmable auxiliary output
- Potted for superior water resistance
- Error code history via KC Host

Key Applications

- Electric utility vehicles
- Commercial floorcare machines
- Power sweepers
- Mobility carts
- Wheelchairs
- Recreational vehicle systems

Related Kinetek Products

- DC wound field motors
- Permanent magnet DC motors
- Transaxle drive systems
- High frequency battery chargers
- Hydraulic pump motor systems
- Single wheel drives
- Multi-function display
- Linear actuator

Kinetek Controls 60A Controller for permanent magnet motors provides excellent control for motors in traction applications including walk-behind floor scrubbers, mobility carts, wheelchairs, and other equipment requiring similar control processing.

Available for both 24V and 36V DC systems, the fully programmable 60A controller provides variable speed control, regenerative braking, and a programmable output that may be used to drive motor relays, external brakes, solution valves, or similar devices. The controller also provides self testing and continuous diagnostics, solid state motor reversing, and is potted for superior water resistance.

The 60A controller uses a simple, extremely dependable, two-FET design that is ideal for applications that do not require the higher expense associated with wound field motor applications. The controller provides three digital inputs and one potentiometer input for speed control.



Specifications

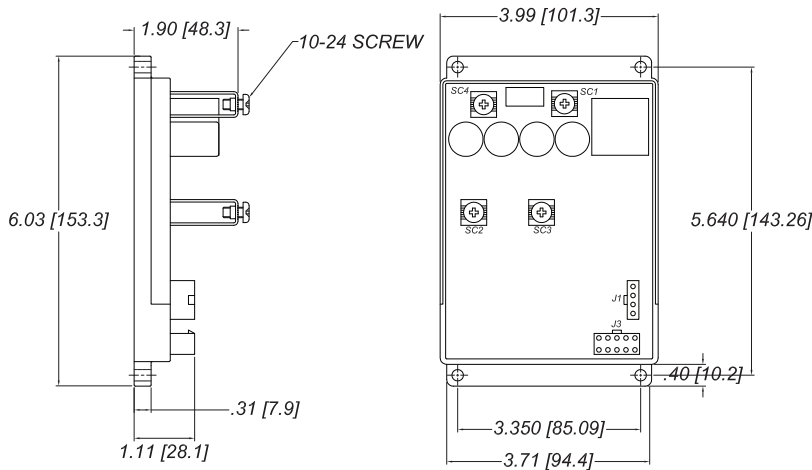
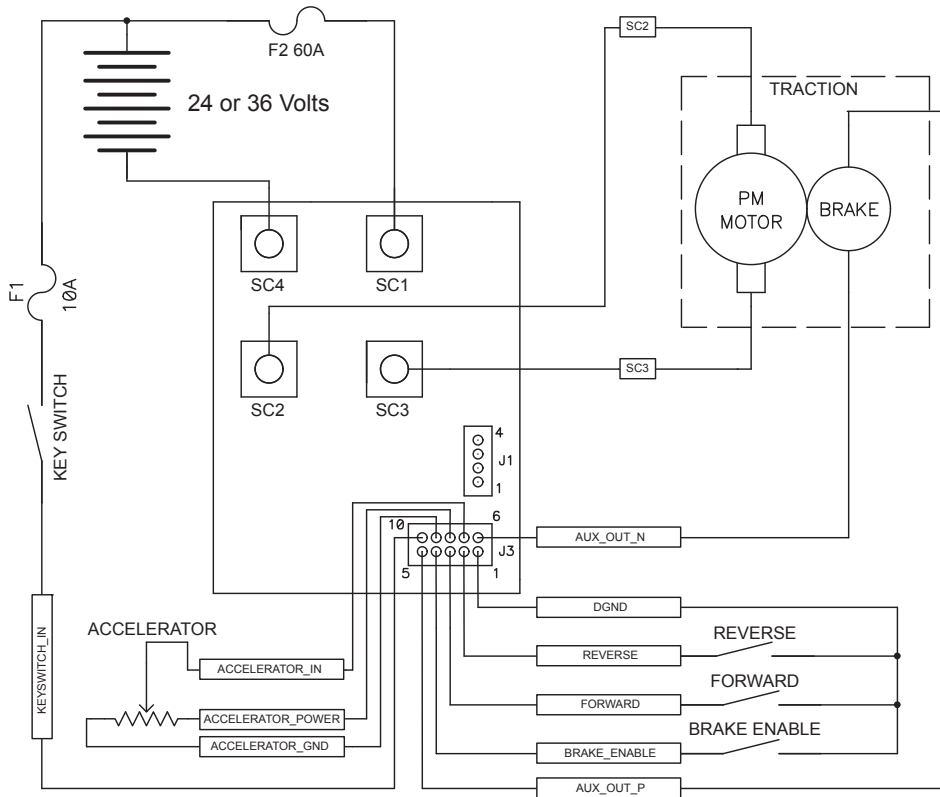
60A Controller	Current Limit	Operating Voltage	Continuous Current Rating	Input	Output
KCCA0041	60A	24-36V DC	20 - 25A (approx)	3, digital 1, potentiometer	1 program- mable
User Programmable Configuration Options Via KC Host					
Seat Switch Y/N	Start Switch Y/N	Brake Enable Y/N	Accel Y/N	AUX 1 Function Y/N	Min Brake Current
Accel Pot SRO	Accel 5k or 10k	Direction SRO	Start Switch SRO	Battery Cable Comp	IR Comp Y/N
Battery Volt Level	Tract Accel Fwd	Tract Accel Rev	Tract Decel Ramp	Key Off Ramp	IR Comp Const
Tract Topspeed Fwd	Tract Topspeed Rev	Tract Curr Offset	Chat Timeout Period	24 - 36 Volts	

Kinetek Controls
3705 Lane Road
Perry, OH 44081
Phone: (440) 357-5711
Fax: (440) 357-5440
Web: www.kinetekcontrols.com

U.S. contact: kcinfo@kinetekinc.com

European contact: Massimo Piazzi
piazzi@kinetek-europe.com

60A Controller for Permanent Magnet Motors



Connector Pin Out

- J1 (Programming)
 - Pin 1: Battery +
 - Pin 2: RXD
 - Pin 3: TXD
 - Pin 4: Ground
- J3 (Input/Output)
 - Pin 1: Ground
 - Pin 2: Reverse
 - Pin 3: Forward
 - Pin 4: Brake Enable
 - Pin 5: AUX Out Pos
 - Pin 6: AUX Out Neg
 - Pin 7: Accelerator In
 - Pin 8: Accelerator Power
 - Pin 9: Accelerator Ground
 - Pin 10: Key Switch In
- Terminals
 - SC1: Battery +
 - SC2: M+
 - SC3: M-
 - SC4: Battery -



Kinetek Controls®

A Kinetek Company®

Kinetek Controls
 3705 Lane Road
 Perry, OH 44081
 Phone: (440) 357-5711
 Fax: (440) 357-5440
 Web: www.kinetekcontrols.com

U.S. contact: kcinfo@kinetekinc.com

European contact: Massimo Piazzi
piazzi@kinetek-europe.com