

Burnisher and Drive Controller



Kinetek Controls®

A Kinetek Company®

The **Kinetek Burnisher and Drive Controller** provides control for both traction and burnishing motors in a single package — the perfect solution for commercial floor care machines.

The 24/36V DC controller provides variable speed control and regenerative braking for the traction motor, fixed speed burnisher motor control, and drive outputs for a seven-segment, LED display. The controller also provides self testing and continuous diagnostics, solid state motor reversing, and is potted for superior water resistance.

The controller is capable of monitoring the temperature of one of the motors if needed. The controller provides six digital inputs, one potentiometer input for traction motor speed control, and two programmable auxiliary outputs.



Specifications

Burnisher and Drive Control		Current Limit	Operating Voltage	Continuous Current Rating	Input	Output
KCCA0044	Brush	140A	24/36V DC	105A	6 digital	2 programmable
	Drive	45A		20A		

User Programmable Configurations Via KC Host

Seat Switch Y/N	Brake Enable Y/N	Accel Y/N	Accell type 5K 10K	AUX 1 Function Y/N	Min Aux1 Current	Accel Pot SRO
Direction SRO	Start Switch SRO	Aux1 SRO	Aux2 SRO	Direction Lock Out	Current Compensation Y/N	Current Compensation Value
Battery Volt Level	Battery cable Compensation Y/N	Tract Accel Forward	Tract Accel Reverse	Tract Decel Forward	Tract Decel Reverse	Key off Tract Decel
Tract Top speed Fwd	Tract Top Speed Reverse	Tract Slow Speed	Tract Med Speed	Tract Low Battery Speed	Tract Current Limit	Tract Accel stall Time Limit
Tract Decel Stall Time Limit	Brush Accel	Brush Decel	Key off Brush Decel	Brush Top Speed	Brush Current Limit	Brush Accel Stall Time Limit
Brush Decel Stall Time Limit	Brush Off Delay Period	Chat Timeout Period	Accelerator Constants			

Features

- 24 - 36V DC
- Traction current limit: 45A, continuous: ~ 20A
- Brush current limit: 140A, continuous ~ 105A
- Solid state motor reversing
- Regenerative braking
- Traction motor speed control input
- 2 Programmable auxiliary outputs
- Auxiliary coil output
- Six digital inputs
- Self test and continuous diagnostics, including error code history
- Potted for superior water resistance
- User programmable via KC Host

Key Applications

- Commercial floor care machines
- Power sweepers

Related Kinetek Products

- DC wound field motors
- Permanent magnet DC motors
- Transaxle drive systems
- High frequency battery chargers
- Hydraulic pump motor systems
- Single wheel drives
- Linear actuator
- Multi-function display

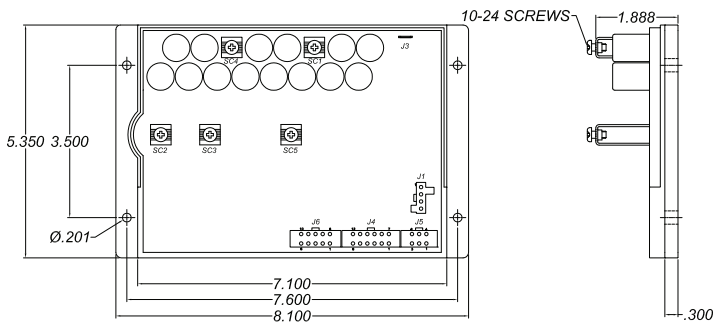
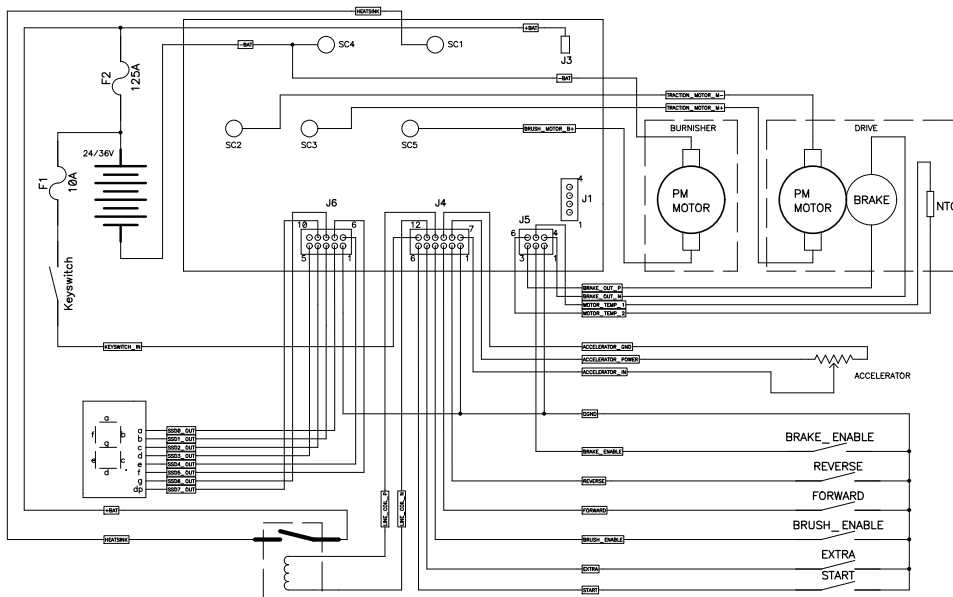
Kinetek Controls
3705 Lane Road
Perry, OH 44081
Phone: (440) 357-5711
Fax: (440) 357-5440
Web: www.kinetekcontrols.com

U.S. contact: kcinfo@kinetkinc.com

European contact: Massimo Piazzi
piazzi@kinetek-europe.com

Burnisher and Drive Controller

Electrical



Connector Pin Out

- J1: Programming
 - Pin 1 +BAT
 - Pin 2 RXD
 - Pin 3 TXD
 - Pin 4 Digital Ground
- J3: Input/Output
 - Pin 1 +BAT
- J4: Input/Output
 - Pin 1 Digital Ground
 - Pin 2 Reverse
 - Pin 3 Forward
 - Pin 4 Brush Enable
 - Pin 5 Extra
 - Pin 6 Start
 - Pin 7 Accelerator In
 - Pin 8 Accelerator Power
 - Pin 9 Accelerator Ground
 - Pin 10 Line Coil Positive
 - Pin 11 Line Coil Negative
 - Pin 12 Keyswitch In
- J5: Input/Output
 - Pin 1 Digital Ground
 - Pin 2 Brake Enable
 - Pin 3 Brake Out Positive
 - Pin 4 Brake Out Negative
 - Pin 5 Motor Temp 1
 - Pin 6 Motor Temp 2
- J6: Display
 - Pin 1 Digital Ground
 - Pin 2 SSD0 Out
 - Pin 3 SSD1 Out
 - Pin 4 SSD2 Out
 - Pin 5 SSD3 Out
 - Pin 6 SSD4 Out
 - Pin 7 SSD5 Out
 - Pin 8 SSD6 Out
 - Pin 9 SSD7 Out
 - Pin 10 No Connection



Kinetek Controls®

A Kinetek Company®

Kinetek Controls
 3705 Lane Road
 Perry, OH 44081
 Phone: (440) 357-5711
 Fax: (440) 357-5440
 Web: www.kinetekcontrols.com

U.S. contact: kcinfo@kinetekinc.com

European contact: Massimo Piazzi
piazzi@kinetek-europe.com