

Golf or Utility Vehicle Motor Control SXDC and SXDC+ from Kinetek



Kinetek Controls®

A Kinetek Company®

Kinetek SXDC and SXDC+ controllers for separately excited DC motors are designed specifically for golf carts, personnel transport, and utility transport vehicles. Separately excited motor controllers provide accurate control for both motor armature and field windings, resulting in optimum motor torque control across the speed range.

The SXDC controller comes in 36 VDC, and the SXDC+ controllers come in 24, 36, and 48 VDC configurations. The SXDC+ models provide auxiliary outputs for electronic brake control and hour meter compatibility.

Both SXDC and SXDC+ controllers are fully programmable and user-configurable through serial connection to any Windows compatible PC. Both provide silent, smooth, efficient motor control and are fully potted for superior vibration resistance and harsh environment survive-ability.

Fully regenerative braking, potentiometer or inductive throttle input, on-board diagnostics, and overvoltage / undervoltage protection are standard features on both controllers. Surface-mount, MOSFET designs allow each to provide optimum power density.



SXDC controller is available in 36 volt.

SXDC+ controllers are available in 24, 36, and 48 volt (SXDC+24/36/48) versions.



Features

- Armature & Field control for optimum torque and speed
- Full regenerative braking
- Surface mount MOSFET technology
- On-board diagnostics, audible & visual
- Potentiometer or Inductive throttle input
- Over and Under Voltage protection
- Fully potted for vibration and environmental durability
- Silent, Efficient, Smooth motor control
- Compact size

Models

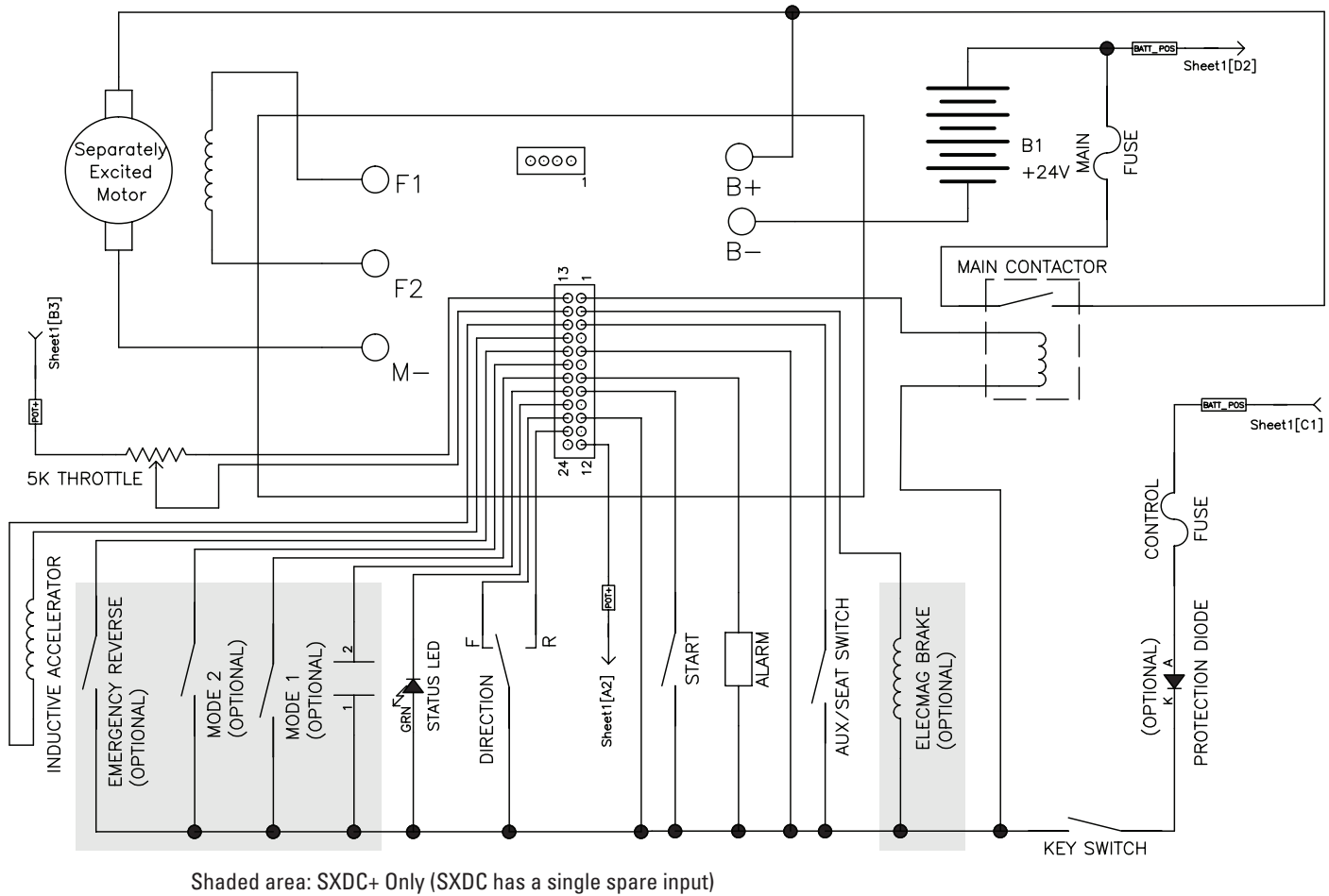
- SXDC 36V: KCCA0018
- SXDC+ 24V: KCCA0049
- SXDC+ 36V: KCCA0065
- SXDC+ 48V: KCCA0038

Kinetek Controls

3705 Lane Rd.
Perry, OH 44081
Phone: (440) 357-5711
Fax: (440) 357-5440
Email: controls@kinetekinc.com
Web: www.kinetekcontrols.com

Golf or Utility Vehicle Motor Control

Specifications



Electrical

Controller	Nominal Battery Volts	Drive Current Limit (Amps)	Armature 2 Minute Rating (Amps)	Armature 1 Hour Rating (Amps)	Field 2 Minute Rating (Amps)	Field 1 Hour Rating (Amps)	Braking Current Limit (Amps)
KCCA0018	36	300	300	100	30	20	300
KCCA0049	24	500	500	140	50	20	500
KCCA0065	36	500	500	140	50	20	500
KCCA0038	48	500	500	140	50	20	500

Physical

MODEL	Dimensions	Weight
KCCA0018	7 x 5 x 3 in 179 x 127 x 76 mm	5 lbs 2.3 kg
KCCA0049 KCCA0065 KCCA0038	9 x 6.5 x 3.5 in 229 x 168 x 89 mm	7 lbs 3.2 kg



Kinetek Controls®

A Kinetek Company®

Kinetek Controls
 3705 Lane Rd.
 Perry, OH 44081
 Phone: (440) 357-5711
 Fax: (440) 357-5440
 Email: controls@kinetekinc.com
 Web: www.kinetekcontrols.com